

**Cubicle Express** Designed to meet your demands for the quickest and simplest washroom installation, this off-the-shelf solution is supplied to you within 48 hours. Supplied in oversized formats for onsite flexibility, this really is the hassle-free washroom solution.

# Cubicle Express



## The quickest and simplest installation is ready and waiting.

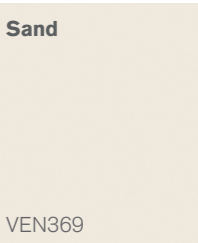
Promising you the winning combination of best value and uncompromising design quality, the Cubicle Express range includes cubicles, duct panels and vanities. All suitable for dry environments, the range features enlarged and ambulant cubicles with all the components and fixing instructions you need for a speedy build.

Available in oversized formats for onsite flexibility, Cubicle Express has a range of innovative features including channels that replace cleats and a new universal hinge. You can also choose from a selection of colours and shaped, low height doors, and have the option of our post-formed pilaster too.



### Key features

- 48 hour delivery
- Flexibility - standard component sizes easily cut to suit site requirements
- Suitable for dry areas
- Six popular colour choices
- Robust fittings in Dark Grey ABS



Specialist ranges

**01** Cubicle Express children's doors.

**02** UPVC wall channel and H-section.

See p138-141 for Cubicle Express technical specifications.

**Main image**  
Cubicle Express cubicles, duct panels and vanity.

# Technical Specifying Cubicle Express

## Dimensions

- Overall height**  
1950mm
- Floor clearance**  
100mm
- Maximum depth**  
1800mm

## Performance

Available in MFC, Cubicle Express is suitable for dry environments, allowing you to specify with confidence.

### MFC

For dry environments with low risk of vandalism. Panels are manufactured from 19mm nominal thickness high performance moisture-resistant melamine faced chipboard. Edges lipped with PVC.

## Detailing

### Panels and doors

19mm nominal thickness melamine faced chipboard (MFC).

Post-formed pilaster option: 19mm nominal overall thickness high pressure laminate (HPL) faced chipboard.

### Vanities

19mm nominal thickness high pressure laminate (HPL) faced chipboard with 100mm front downstand and 75mm rear upstand.

### Flashgaps

19mm nominal thickness melamine faced chipboard (MFC) in a choice of 6 colours.

### Colour finish

**Panels, doors and vanities**  
6 colours.

**Cubicle hardware**  
Dark Grey ABS.

### Edge treatment

Matching ABS lipping.

### Headrail

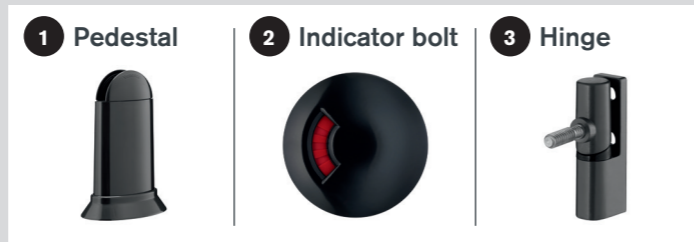
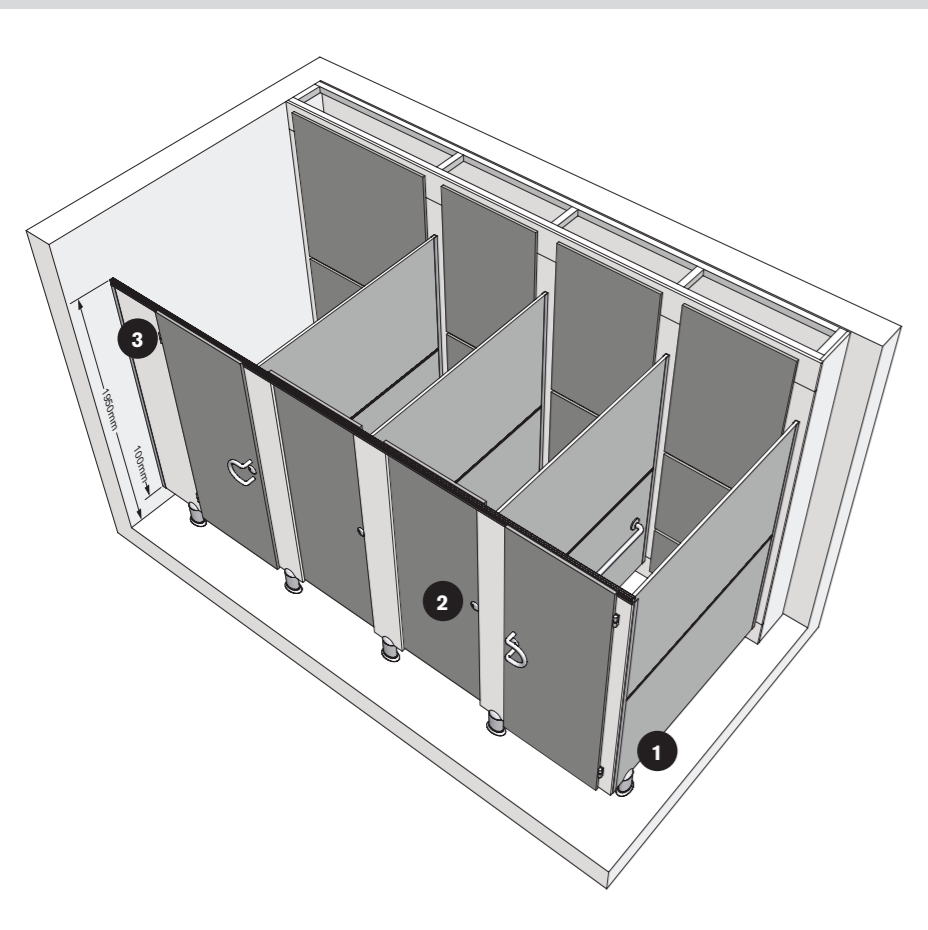
Dark Grey U-section aluminium.

### Pedestal

Dark Grey ABS.

### Accessories

Accessories are in pack C1F. See p140.



## Duct panel packs

### Duct panels

All framework by others. The installer needs to provide an appropriate timber-frame to support vanity units (typical example: 50 x 50mm treated softwood).

#### P1 Washbasin and WC panel pack

- 1 bottom panel 405 x 700mm
- 1 middle panel 670 x 700mm
- 1 top panel 1125 x 700mm
- 1 1mm PVC re-edging strip 2500mm
- 16 plastic clips and screws

#### P2 Urinal panel pack

- 1 bottom panel 225 x 700mm
- 1 middle panel 850 x 700mm
- 1 top panel 1125 x 700mm
- 1 1mm PVC re-edging strip 2500mm
- 16 plastic clips and screws

#### P3 Plain panel pack

- 1 plain panel 2250 x 700mm
- 1 1mm PVC re-edging strip 2500mm
- 10 plastic clips and screws

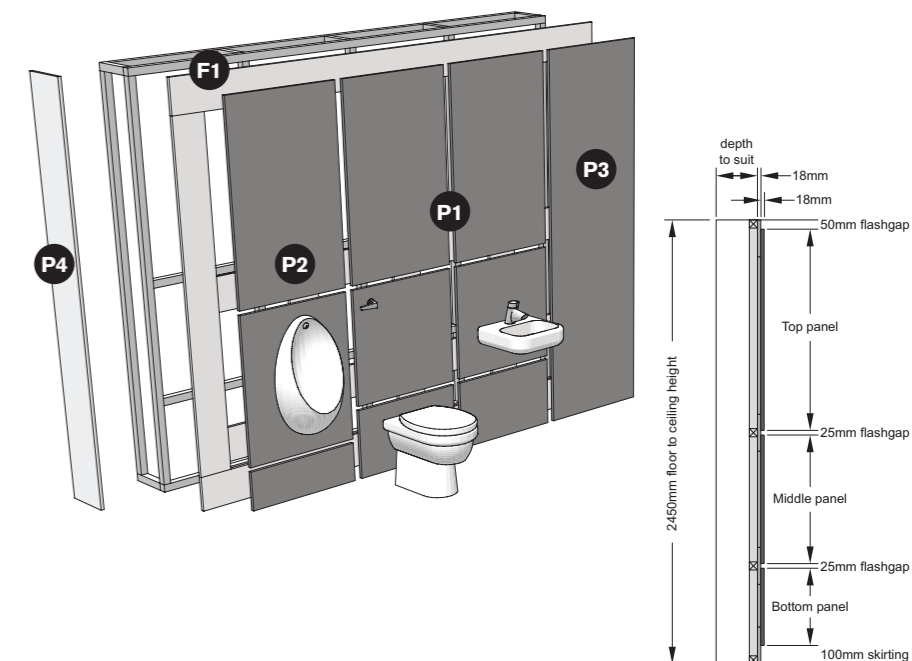
#### P4 Plain panel pack

- 1 plain 2250 x 300mm
- 1 1mm PVC re-edging strip 2500mm
- 10 plastic clips and screws

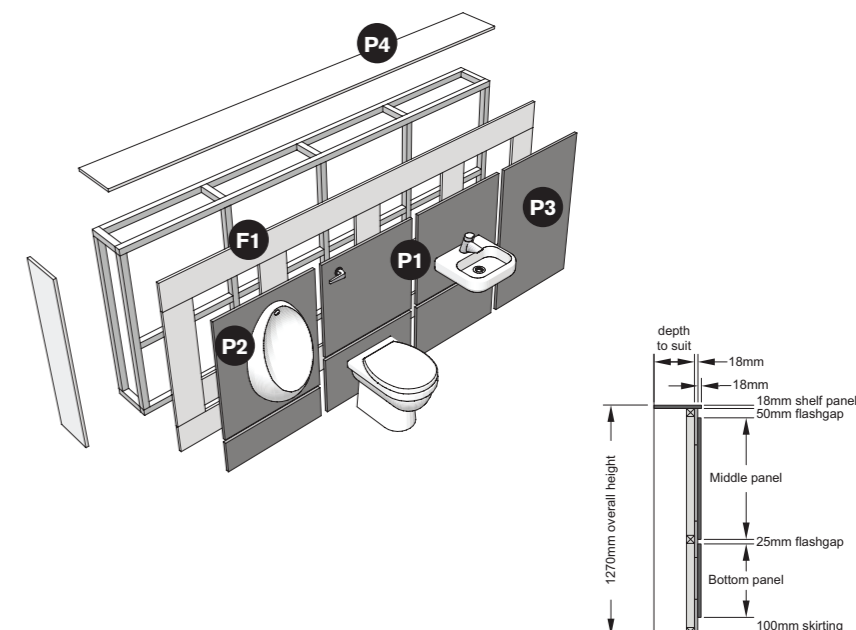
#### F1 Flashgap pack

- 2 flashgaps - unedged 2600 x 200mm
- 1 flashgap - edged 2600 x 201mm
- 16 shrinkage plates and screws

### Duct panels - standard height



### Duct panels - shelf height



# Technical Specifying Cubicle Express

## Cubicle packs

### Cubicles

Wall channels accommodate out of line walls.

Door and wall channels allow for cutting without the need to re-edge.

Adjustments can be made to cubicles by reducing doors and partitions and fitting into full length door channels or wall channels as appropriate.

**Please note:** floor to ceiling post will be required when ordering free-standing cubicles.

#### C1 Door pack

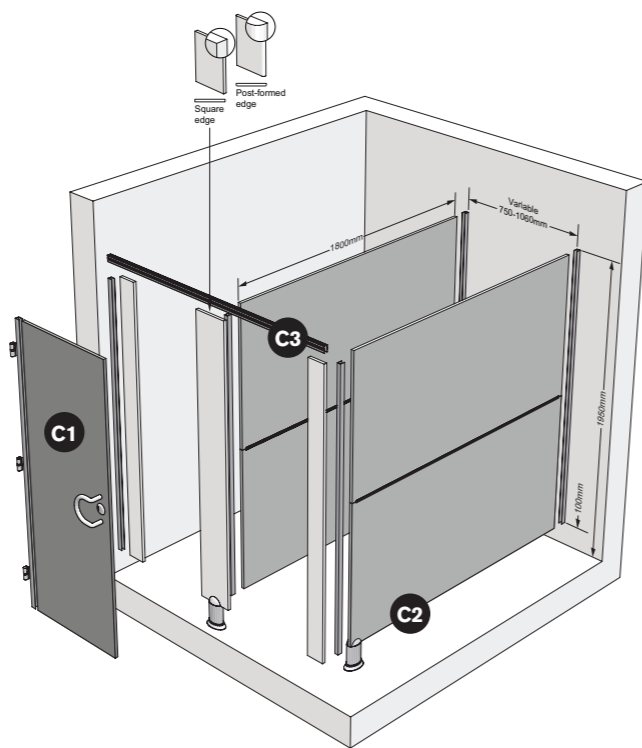
- 1 Outward opening/inward opening wheelchair, ambulant and enlarged.
- 1 door 1850 x 900mm
- 1 square edge pilaster 1850 x 220mm
- 1 square edge pilaster hinged 1850 x 115mm
- 1 square edge pilaster no hinge 1850 x 115mm
- 1 square edge pilaster for enlarged cubicle drilled for hinge 1850 x 400mm
- 3 UPVC door cap/wall channels 1850mm
- 1 1800mm aluminium headrail in Dark Grey

(Door pack also available with post-formed pilasters - C1P)

#### C1F Fittings pack

- 1 indicator bolt
- 1 outward keep
- 3 hinges
- 1 toilet roll holder
- 1 coat hook
- 2 pedestals
- 2 buffers
- Screws, plugs and channel through fixings

### Cubicles



#### C2 Partition pack

- 2 partition 'halves' 925 x 1800mm
- 1 UPVC H-section
- 1 UPVC door cap/wall channel 1850mm

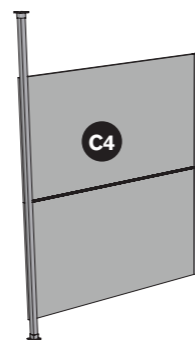
#### C3 Inline pack

- 1 large pilaster 1850 x 900mm
- 1 square edge pilaster drilled hinge 1850 x 550mm
- 1 1800mm aluminium headrail in Dark Grey

(Inline pack also available with post-formed pilasters - C3P)

#### C4 Floor to ceiling post

- 1 floor to ceiling post 3750mm
- 2 flanges
- Screws, plugs and channel through bolt fixings



#### GR1 Ambulant/enlarged grab rail pack

- 3 grab rails, White powder coated 600mm
- 2 door opening handles Dark Grey powder coated
- 1 fixing pack complete

## Children's door and vanity unit pack

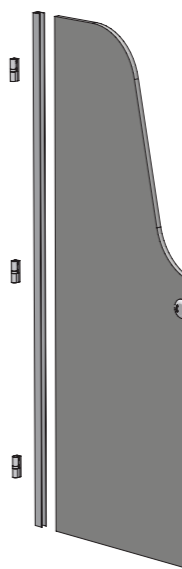
### Children's doors

#### C1C Children's door pack

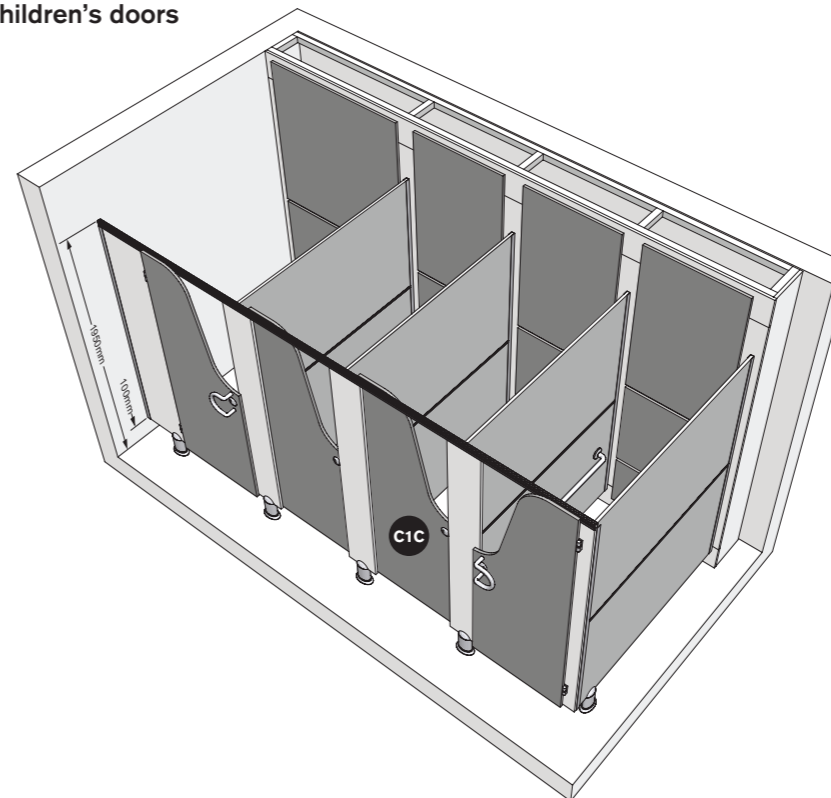
- 1 door 1850 x 900mm
- 1 square edge pilaster 1850 x 220mm
- 1 square edge pilaster hinged 1850 x 115mm
- 1 square edge pilaster no hinge 1850 x 115mm
- 1 square edge pilaster for enlarged cubicle drilled for hinge 1850 x 400mm
- 3 UPVC door cap/wall channels 1850mm
- 1 1800mm aluminium headrail in Dark Grey

(Children's door pack also available with post-formed pilasters - C1CP)

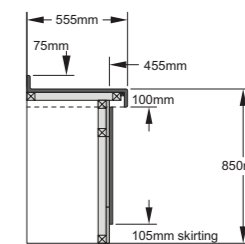
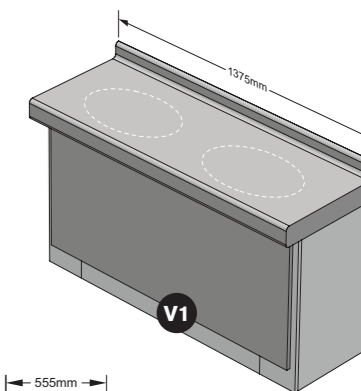
### Children's doors



### Children's doors



### Vanities



### Vanities

All framework by others. The installer needs to provide an appropriate timber-frame to support vanity units (typical example: 50 x 50mm treated softwood).

Longer vanities can be achieved by joining two lengths.

The return end panel for vanity units will be supplied oversized to enable the installer to make onsite adjustments.

#### V1 Vanity unit pack

- 1375 x 555mm top post-formed into a 100mm downstand and a 75mm high upstand blocked both ends
- 1 1275 x 645mm under panel
- Clips and screws
- 3 unedged flashgaps 1300 x 200mm
- Fixing brackets and screws
- 2 loose return ends