

System M is a unique, robust toilet cubicle range with a patented, simple to operate, rapid release outward opening door system that provides optimal emergency access.

System M



System M

System M has been designed to comply with the Document M regulation, for access to and use of buildings, while maintaining attractive aesthetics. System M has a proven track record of being able to cope with the demands of constantly used washrooms in some of the busiest airports in the world, including London Heathrow and Gatwick. This optimal emergency access cubicle is suitable for all high traffic environments, in particular airports, retail outlets and public buildings, such as schools and hospitals.



01 Pivoting pilasters allow easy access with quick release system.

02 Release facility allows a normally inward opening door to be opened outwards without causing damage to the cubicle.

Main image

London Stansted Airport featuring System M.

See p66-67 for System M technical specifications.



See System M cubicles in action by watching our dedicated video on our YouTube channel.

Key features

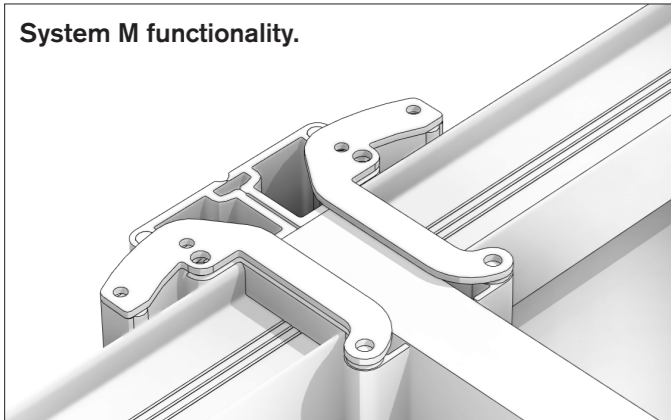
- Award-winning, patented emergency access system
- Quick and easy access within an industry-leading 30 seconds
- Simple to release and reset, no damage to the cubicle
- No tools required for emergency release
- Complies with Document M, DDA and SSLD-3 Regulations
- Sleek floating appearance
- Attractive satin anodised aluminium pilasters and headrail
- 34 on-trend laminate finishes to choose from

System M

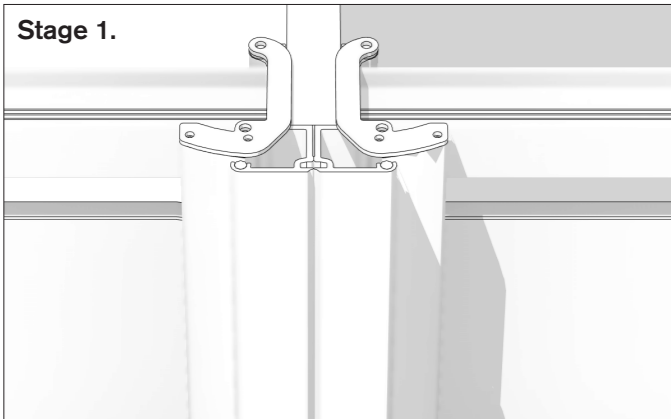
System M features an innovative pivoting pilaster design with a discreet release facility operated without the use of tools or removable parts, allowing the normally inward opening door to be opened outwards within an industry-leading 30 seconds.

Re-setting is simple, with no replacement parts and no visual compromise to the stylish design.

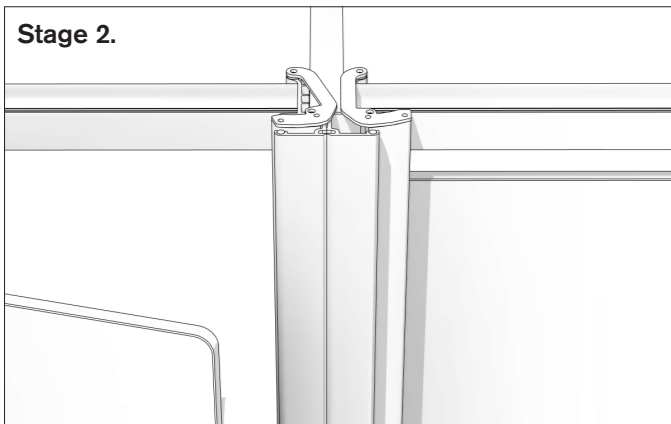
System M functionality.



Stage 1.



Stage 2.



Emergency release:

Stage 1: System M's innovative pivoting pilaster release system is not apparent to the everyday user and therefore retains a standard level of security and privacy.

Stage 2: In the event of an emergency, staff can open the lock using a coin, which allows the door to move freely. The pilaster can then be "squeezed" to release the door outwards, providing an emergency response time of less than 30 seconds.



Main image
System M cubicles and
WT1 profile vanity.

See p66-67 for
System M technical
specifications.

Case Study London Gatwick Airport



London Gatwick is the second largest airport in the UK, flying to more destinations than any other UK airport. Gatwick has more than 280,000 flights across 90 airlines, carrying more than 46 million passengers per year.

Since 2009, Gatwick has undergone ongoing transformation to improve passenger experience through a £2.5 billion investment programme to all areas of the airport, including the washrooms.

With a requirement for a robust washroom to withstand the heavy footfall, System M was recommended for its durable and stylish design with its unique ability to access the cubicles in less than 30 seconds in an emergency.

The patented system enables normally inward opening doors to be opened outwards in an emergency, without having to break components or lift off pilasters or doors, the perfect solution for an airport.

At Venesta Washrooms, we understand that safety is paramount in busy airports. With our System M toilet cubicle range, Gatwick has peace of mind they are able to react quickly and easily in an emergency without damage to their washroom systems.

Read the full case study at www.venesta.co.uk



Case Study Derriford Hospital

“We decided on the System M cubicle to aid with manual handling and to assist with a quick access should we need to.”

Peter Caton, Senior Planning Support Manager & Site Service at Derriford Hospital.

Derriford Hospital forms part of the University Hospitals Plymouth NHS Trust and is the largest hospital in the south west peninsula, providing access to comprehensive secondary and tertiary healthcare for almost 2,000,000 people.

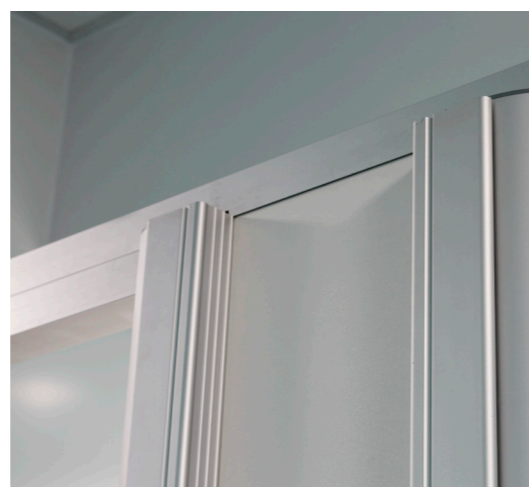
To complement the opening of their new, state-of-the-art Changing Places facility, that will greatly improve the experience of disabled patients and their families, the hospital realised a need to improve the reception foyer washrooms.

With safety a priority for all healthcare facilities around the world, we were asked to design a bespoke cubicle system to meet the specific needs of Derriford Hospital. Above all, the washrooms would need to accommodate a high footfall of patients and visitors of all abilities.

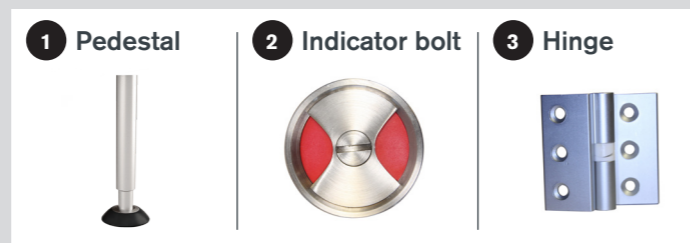
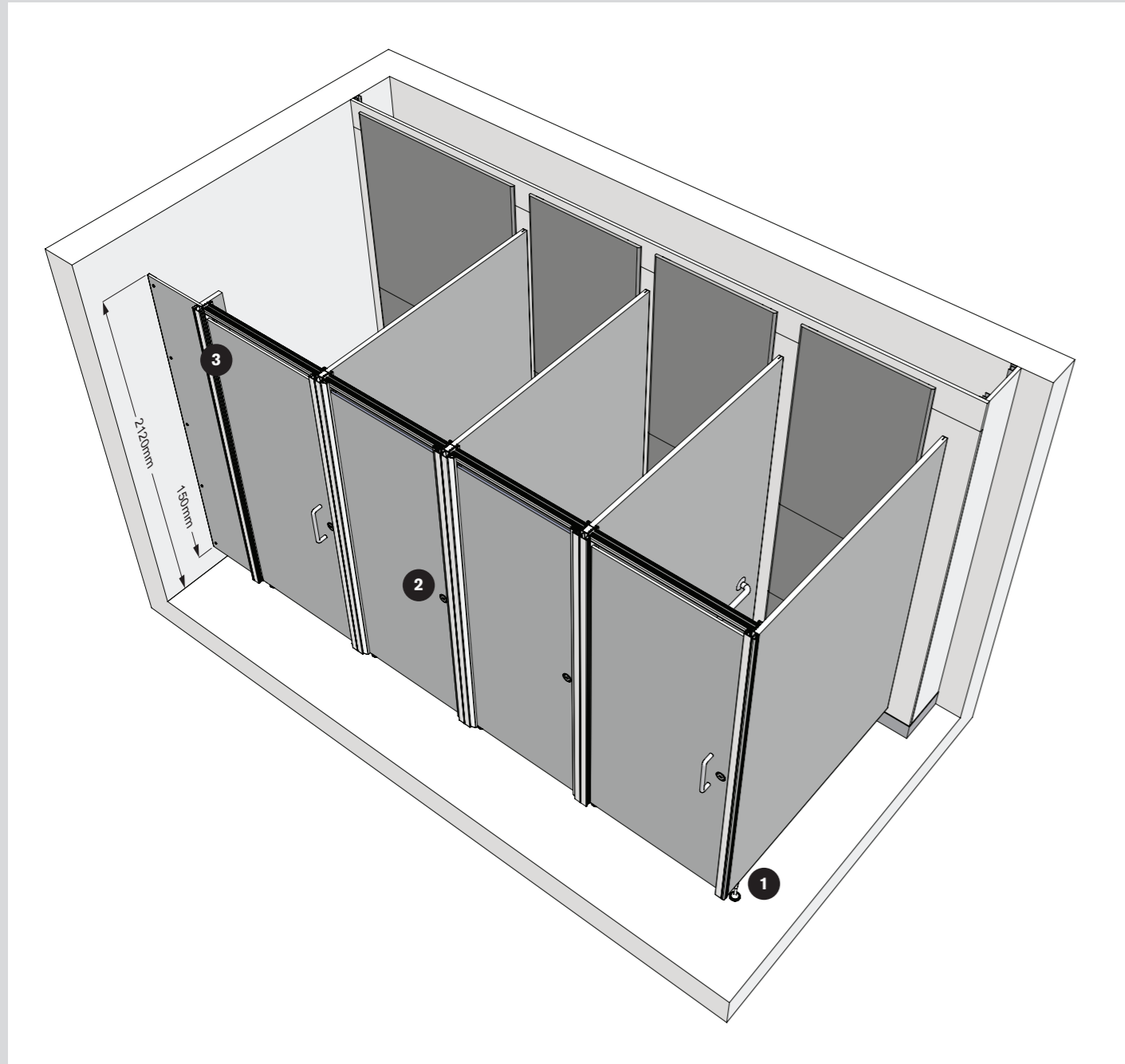
As well as allowing rapid access, the washrooms also needed to be strong and durable to support the challenging environment of a major hospital. System M made the ideal choice and was tailored to suit the needs of the environment with doors and partitions manufactured from our strongest material, Solid Grade Laminate; defending against scratches, water and moisture, vandalism and hard impact.

“The overall reaction from users has been that they are delighted with the new facilities, commenting on the extra space, increased number of cubicles, simple but useful accessories such as bag hooks and the colour of the cubicles.”

Read the full case study at www.venesta.co.uk



Technical Specifying System M



Dimensions

Standard height
2120mm

Maximum depth
2068mm

Floor clearance
150mm

Minimum ceiling clearance
100mm

Performance

System M cubicle partitions are manufactured in 26mm medium density fibreboard (MDF) faced both sides with high pressure laminate (HPL) and lipped with ABS.

Doors are manufactured in 13mm solid grade laminate (SGL) with radiused edges.

HPL
For more heavily used washrooms, panels are heat, scratch and impact resistant.

SGL
Solid grade laminate is extremely resistant to impact and all surfaces are impervious to water.

Detailing

Panels and doors
HPL panels and SGL and doors.

Colour finish
HPL and SGL
34 colours from the standard range.
Cubicle hardware
Stainless steel and satin anodised aluminium.

Edge treatment
HPL
Matching ABS lipping.
SGL
Polished black radiused edge.

Headrail
High strength satin anodised aluminium U-section headrail.

Pilasters
Unique, patented, pivoting high strength satin anodised aluminium shaped pilaster fixed to cubicle partition. Pilasters allow doors to open outwards in an emergency.

Cubicle hardware
Indicator bolt
Stainless steel circular faced indicator bolt with emergency release and nylon keep.

Hinge
Satin anodised aluminium anti-tamper lift off rise and fall hinge.

Pedestal
150mm stainless steel height adjustable pedestal.

Fixings
Partition to wall: satin anodised aluminium T-section.

Accessories
Coat hooks and toilet roll holders available.