

Product Portfolio Middle East

We know washrooms.
For all your design and
budget requirements.



Venesta

We know washrooms.

After 100 years of innovation in partnership with our customers, we're still passionate about setting new standards of design, value, performance and reliability.

At Venesta, we live and breathe washrooms. Ever since the early days, innovation has been our inspiration, and product excellence our goal. With a commitment to setting the benchmark for design and performance, we've partnered our clients in creating solutions that they can rely on to satisfy the most challenging and demanding of briefs.

Today, our expert knowledge and pioneering attitude have inspired our range of commercial toilet cubicle and washroom systems. On the following pages you'll discover great product choice, value for money and uncompromising quality. And because customer care is so important to us, you'll find we're breaking ground in customer service too.

We invite you to see for yourself.

Our customers

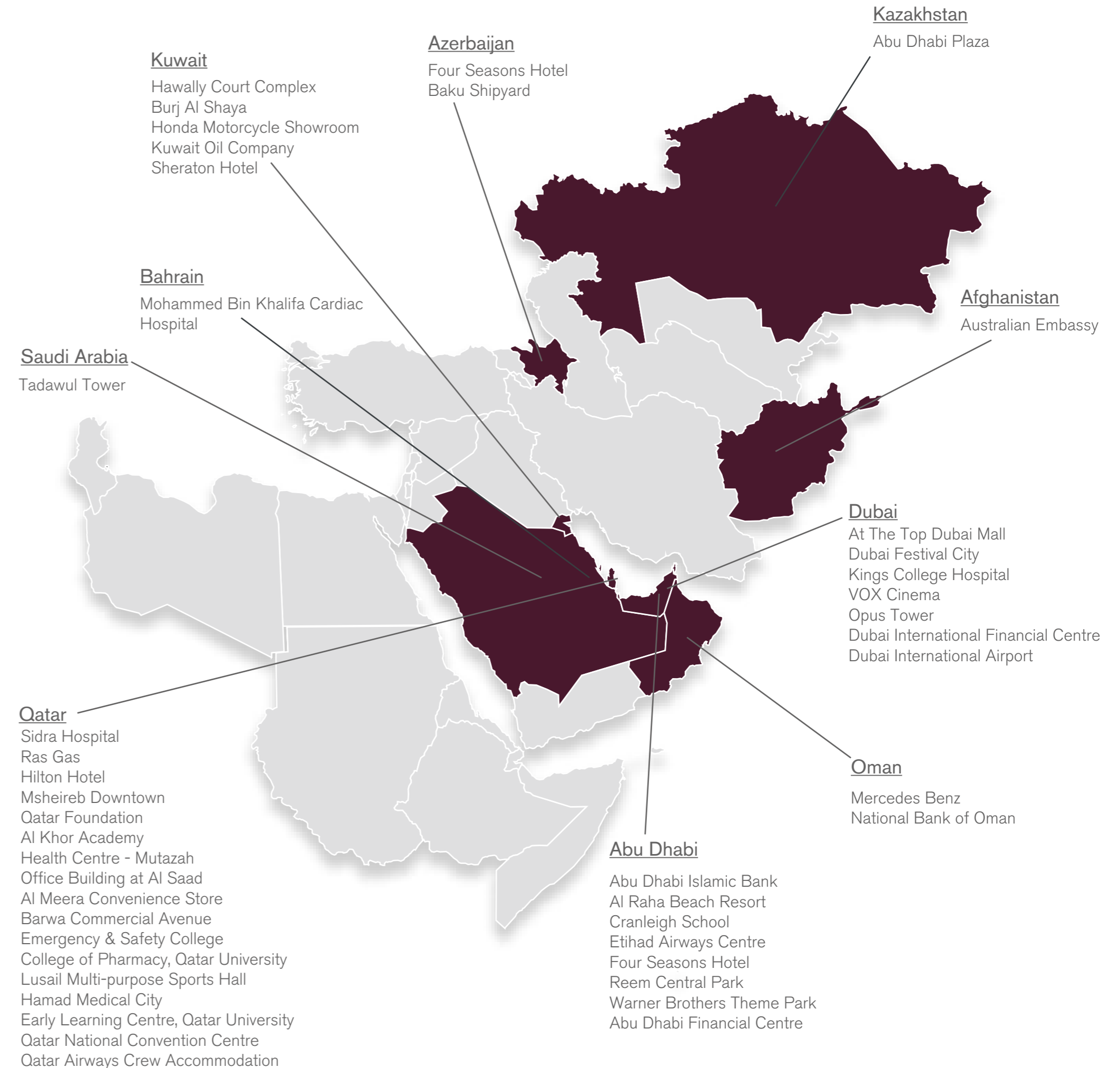
Venesta products are delivered all around the world. We have customers across the Middle East, America, Europe and Asia.

Venesta is part of the world's largest washroom manufacturing group, RSBP Ltd, with its head office, manufacturing and technology centre in Stoke-on-Trent, UK. Our Export division trades under the Venesta brand, and we are able to offer products and services from the following companies within group.

Venesta



SanCeram Sylar





Sylan Glass cubicles in Black with pivot hinge.



Making an impact. And able to take one.

With its highly reflective surface quality, our glass range undeniably makes an impact.

While its toughened safety glass, being eight times stronger than ordinary glass, can certainly take one. You'll see the same glass on leading edge, breathtaking, glass bottomed bridges.

And it's not just our glass that's subjected to the toughest examination. Our technical team worked tirelessly, day and night, for a whole twelve months, refining the bonding technique that we use to fuse the glass to the background panels.

Now that's what we call attention to detail.

A perfect match that's quite unmatched.

Some things in life simply can't be matched.

Such as the intricately beautiful grain of wood.

But wait. Because a Sytan washroom in meticulously crafted wood veneer, from right-on-trend retro teak to sophisticated fumed oak, enables perfect slip matching and the infinite repetition of colour, texture and pattern.

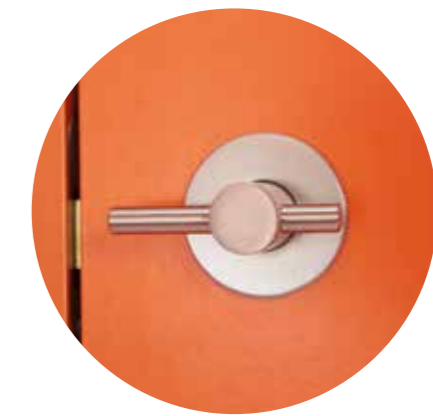
With the grain so seamlessly matched that the impression is of a tree some eight metres across to create the most stunningly smooth continuum in a run of flush-fronted cubicles.

Simply, in a word, unmatched!

Sylan Veneer cubicles in Fumed Oak Half Crown with Porcini Quartz vanity unit and SanCeram Vessel Basins.



Sylan ColourCoat cubicles in Traffic Purple RAL4006, Raspberry Red RAL3027, Deep Orange RAL2011 and Matt Yellow RAL1023 to match Yellow Solid Surface washtrough.



Bringing a true element of luxury to any washroom.

With Sylan ColourCoat, we really do, if you'll forgive the lapse into corporate speak, 'have all the bases covered'. So, whether your preference is for a red hot fuchsia or a cooling linen, or whether you feel compelled to pay homage to the strictures of those corporate guidelines, you really can coordinate your cubicles with the other elements of your washroom. Or even, should it come to it, your business card.

Glossier than the glossiest style mag.

While ColourCoat comes in a distinctly glossy 20% gloss, our High Gloss variant comes in up to 90% gloss.

Or glossier than the glossiest style mag.

So, as well as selecting from our myriad of shades, you might even feel inclined to wear a pair too.

Sylan Solid Surface cubicles in White, with matching Solid Surface washtrough.



With Solid Surface, seeing is believing.

And so is touching.

Of course, the first thing you'll notice is the bold, defined, architectural look that catches the light so beautifully.

But then come closer. Run your fingers across the inviting surface. It feels smooth, tactile, solidly reassuring and almost uncannily warm to the touch. That's the special touch of quality we bring to everything we do.



Sylan HPL cubicles in Smoke with pivot hinge and White Solid Surface vanity unit.

How to handle a high pressure job.

Baldness, bags, wrinkles, unexpected bristly outcrops. We all know how a high pressure job can prematurely age us. Luckily, however (or, rather, entirely by design), durable and easy to clean Sylan High Pressure Laminate features exactly the same high specification door construction as its luxury cousins, with its 44mm high density core, but at a somewhat more forgiving price. Which means that, just like that one colleague (doesn't every company have one?) whose enduring looks attract our admiration and jealousy in equal measure, HPL will withstand the stresses and strains of its own high pressure job quite beautifully. Without a single metaphorical wrinkle.



The ultimate in classic modernity, Infinite delivers sleek, clean lines, flush fronts and minimalist fittings.

Our Veneer Infinite washrooms feature real wood Veneers in a range of rich, earthy tones with matched hardwood edges.

Our wide range of sleek Alpi veneer finishes have been carefully selected to bring warmth and vitality to your designs.

**This is a
contemporary,
high quality
solution, perfect
for the most stylish
environment.**

The sleek, smooth contours of our stylish Infinite washroom cubicles embrace a range of high quality features, from minimalist stainless steel and satin anodised aluminium fittings to floating doors and pilasters.

Our Infinite ColourCoat and High Gloss options offer an unlimited choice of classic RAL colours.

Infinite in High Gloss White
RAL9003 and High Gloss
Bordeauxviolett RAL4004. .



London Gatwick Airport
featuring System M.



The only cubicle to allow rapid and safe access within an industry leading 30 seconds!

System M is a unique robust cubicle range with patented, simple to operate, rapid release, outward opening door system which provides optimal emergency access.

Designed to comply with the Document M regulation, for Access to and use of buildings, whilst maintaining attractive aesthetics.

System M has a proven track record of being able to cope with the demands of constantly used washrooms in some of the busiest airports in the world including, London Heathrow and London Gatwick.

The optimal emergency access toilet cubicle makes System M suitable for all high traffic environments. In particular airports, retail outlets and public buildings such as schools and hospitals.

**Unity's floating
flush front always
makes a big
impact.**

This clean, modern design is the UK's most economical, well designed flush cubicle range. Whatever the environment, Unity's floating flush front always makes a big impact.

Available in five material options, we have designed Unity to offer maximum choice at a minimum cost. Unity is available in 36 inspiring colours for laminate options and 10 on-trend ColourCoat and High Gloss colours, offering endless possibilities for all washroom environments.

Unity in Driftwood, Solid Surface vanity in Mayon with Graphite under panels..





Fusion HPL in Amethyst.



Bringing together cutting edge design, unrivalled performance and surprising affordability.

Fusion is an innovation all of its own, with an ultra-strong metal frame and slimline pilasters that fix to the floor for added rigidity. Fusion combines strength and modernity in equal measure.

Available in standard and floor to ceiling heights for maximum privacy, perfect for those busy washroom environments.

Sturdy, stylish and versatile, Splash has been designed to withstand the toughest of environments.

Manufactured from 13mm Solid Grade Laminate, Splash features through-fixed polished aluminium fittings, whilst structural support is enhanced by a headrail that overlaps the pilasters at the front and back to ensure maximum durability. With no compromise on design, a floating appearance is created with the pedestal legs mounted on to divisions.

Simplicity.



Vepps in American Walnut.



**Vepps.
Ground-breaking
pre-plumbed
system that ticks
all the boxes.**

Vepps is the industry's first precision engineered pre-plumbed panelling system with a click-fix assembly into an aluminium frame. And that means installation is efficient and cost-effective. Perfect.

You need a wide choice of high quality sanitaryware.

From cutting-edge, designer sanitaryware to simple, budget options, our partnership with Armitage Shanks, Ideal Standard and SanCeram gives you the flexibility to choose industry leading products to complement your washroom.



01 Vepps panel in Iceberg with Marden 525 wall hung basin and Aquarius A45 tap

02 Unity HPL cubicles in Iceberg, Vepps panels in Iceberg with Chartham back to wall WC

03 Vepps panels in Iceberg with Marden concealed trap urinal and sensor flush

Main image
Vepps panels in Wenge with Jasper Morrison basins and Jasper Morrison single lever mixer taps, Vepps panels in New England with Jasper Morrison urinals



Choice.


Speed.

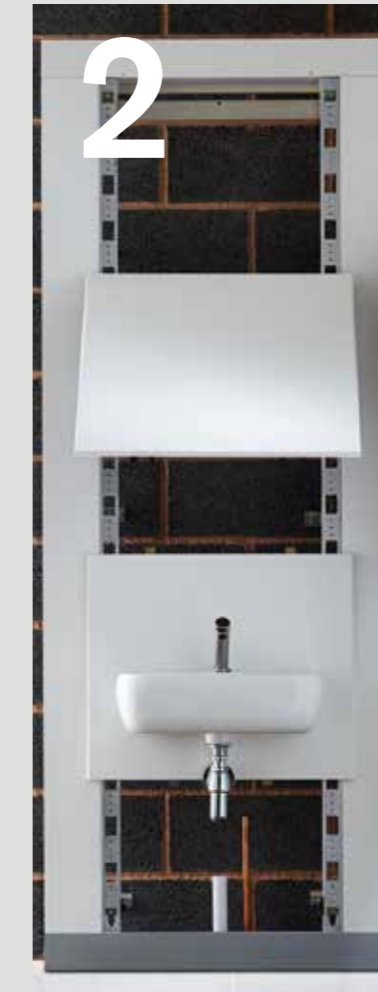
You need speedy installation.

Our design team created Vepps to ensure that's what you get. There are four easy steps to installation so you can be up and running in the shortest possible time frame, with a guaranteed quality finish.




01 Once the site has been prepared, fix the aluminium docking frame to the wall, ceiling and floor.

 20 minute installation




02 Click-fix the first Vepps unit onto the frame and slide into position. Open the mid panel to a fully hinged position. Attach a vertical flashgap to the frame on either side of the unit, screw-fixing to the frame from the face. Fix tie back to the wall. Repeat until all units are in place.

 30 minute installation




03 Once all the units are in position, connect the plumbing and services.

 10 minute installation*



04 Simply close the hinged panel and attach the top and bottom panels of the unit. Installation complete.

 5 minute installation

The comparisons given between Vepps, Frameduct and Rapiduct are a guide and are designed to help you choose the right product for your project.
* Dependent on brassware.

We're passionate about raising the bar for sports and leisure centre washrooms.

Your need for practicality, in both wet and dry environments, has prompted us to create a versatile range of safe, durable and innovative solutions, whatever your budget.



Active lockers, in Moon, Pineapple and Mink, with perimeter benches.



Dispenser & Holders

A range of wall toilet roll, towel & soap dispensers in a variety of colours and finishes.



Handwash Stations

Providing the ultimate handwash experience with our combination units and automatic wash stations.



Hand Dryers

High speed and energy efficient air hand dryers in a range of finishes.



Door Handles & Grab Rails

Pull handles and grab rails available in a selection of styles and finishes.

To complement your washroom, we've designed an inspiring range of accessories. From premium right through to budget, we promise you an accessory that's right for you. Find our full range of accessories on our website www.venesta-spares.co.uk

Technical

Sylan.

Dimensions	
Overall Height	2600mm
Floor Clearance	10mm doors and pilasters
Ceiling Clearance	30mm
Partition Depth	1800mm

Detailing	
Colour Finish	
Panels and doors	HPL - 36 colours. ColourCoat & High Gloss - any RAL classic colours. Veneer - wide range of ALPI veneer options. Solid Surface - White or Grey.
Cubicle Hardware	Stainless steel.
Edge treatment	HPL - All edges are lipped with preferred hardwood. ColourCoat/High Gloss - All edges are lipped with hardwood and finished with ColourCoat. Solid Surface - lipped with Solid Surface, vertical edges rebated. Veneer - lipped with hardwood.
Cubicle Hardware	
Hinge	45mm butt hinges set to fall close.
Wall fixing	Invisible partition to pilaster fixing. Discreet satin anodised aluminium gravity wall fixing and wall end pilaster fixing.
Indicator bolt	Stainless steel mortice lock, machined flush into door and pilaster rebates, complete with DDA compliant lever-operated indicator bolt with circular face plate incorporating emergency release.

Performance	
Solid Surface	Solid surface is a man-made material composed of minerals and acrylic polymer that can be thermoformed into one continuous piece.
Veneer	Doors and pilasters are 44mm nominal thickness chipboard faced with real wood veneer, partitions are 36mm MDF faced with real wood veneer. Edges finished with hardwood lipping.
ColourCoat	Panels are MDF core. Doors and pilasters are sprayed with one coat of primer and finished with one coat of polyurethane paint. Doors and pilasters are 44mm nominal thickness, partitions are 36mm nominal thickness.
High Gloss	Panels are MDF core. Doors and pilasters are sprayed with one coat of primer and finished with two coats of high gloss polyurethane paint. Doors and pilasters are 44mm nominal thickness, partitions are 36mm nominal thickness.
HPL	For more heavily used washrooms, panels are heat, scratch, impact resistant. Manufactured from moisture-resistant chipboard faced with high pressure laminate. Edges lipped with hardwood. Doors and pilasters are 44mm nominal thickness with an MDF core, partitions are 36mm nominal thickness.



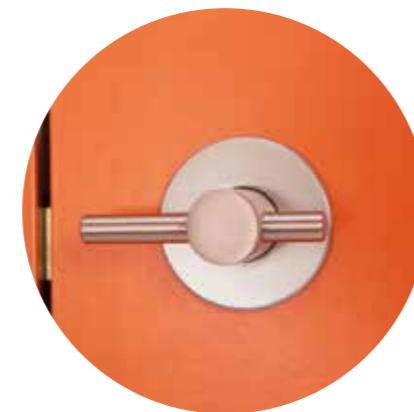
Divisions.

Satin anodised aluminium or white powder coated floor blocks.



Hinges.

Option of rise and fall hinges.



Lever operated mortice lock.

Lever operated mortice lock machined flush into door and pilaster rebates.



Faceplate.

DDA compliant lever-operated indicator bolt with circular face plate incorporating emergency release facility.

Sylan Pivot.

Dimensions	
Overall Height	2600mm
Floor Clearance	20mm doors and pilasters
Partition Depth	1800mm

Detailing	
Colour Finish	
Panels and doors	HPL - 36 colours. ColourCoat & High Gloss - Unlimited RAL classic colours. Veneer - wide range of ALPI veneer options. Solid Surface - White or Grey.
Cubicle Hardware	Stainless steel.
Edge treatment	HPL - All edges are lipped with preferred hardwood. ColourCoat/High Gloss - All edges are lipped with hardwood and finished with ColourCoat. Solid Surface - lipped with Solid Surface, vertical edges rebated. Veneer - lipped with hardwood.
Headrail	Satin anodised aluminium or white powder coated, incorporating hydraulic door closer and dampening mechanism.
Cubicle Hardware	
Hinge	Self closing and dampened pivot.
Wall fixing	Discreet satin anodised aluminium gravity channel for division to wall fixing and wall end pilaster fixing.
Indicator bolt	Stainless steel mortice lock, machined flush into door and pilaster rebates, complete with DDA compliant lever-operated indicator bolt with circular face plate incorporating emergency release.

Performance	
Solid Surface	Solid surface is a man-made material composed of minerals and acrylic polymer that can be thermoformed into one continuous piece.
Veneer	Doors and pilasters are 44mm nominal thickness chipboard faced with real wood veneer, partitions are 36mm MDF faced with real wood veneer. Edges finished with hardwood lipping.
ColourCoat	Panels are MDF core. Doors and pilasters are sprayed with one coat of primer and finished with one coat of polyurethane paint. Doors and pilasters are 44mm nominal thickness, partitions are 36mm nominal thickness.
High Gloss	Panels are MDF core. Doors and pilasters are sprayed with one coat of primer and finished with two coats of high gloss polyurethane paint. Doors and pilasters are 44mm nominal thickness, partitions are 36mm nominal thickness.
HPL	For more heavily used washrooms, panels are heat, scratch, impact resistant. Manufactured from moisture-resistant chipboard faced with high pressure laminate. Edges lipped with hardwood. Doors and pilasters are 44mm nominal thickness with an MDF core, partitions are 36mm nominal thickness.



Pivot Hinge.

Satin anodised aluminium blocks with soft closing stainless steel pivot with soft closing stainless steel pivot hinge system.



Headrail.

Soft close pivot hinge, top pivot with adjustable spring and damper capsule.



Lever operated mortice lock.

Lever operated mortice lock machined flush into door and pilaster rebates.



Faceplate.

DDA compliant lever-operated indicator bolt with circular face plate incorporating emergency release facility.

Sylan Glass.

Dimensions	
Overall Height	2060mm - 2600mm
Floor Clearance	20mm doors and pilasters
Partition Depth	1500mm

Detailing	
Colour Finish	
Panels and doors	Black or White Glass.
Cubicle Hardware	Stainless steel.
Edge treatment	Lipped with 0.8mm PVC with Linen or Charcoal depending on glass colour.
Headrail	Aluminium headrail powder coated gloss white or black or satin anodised aluminium to suit other fixtures.
Cubicle Hardware	
Hinge	Self closing and dampened pivot.
Wall fixing	Discreet satin anodised aluminium gravity channel for divisions to wall fixing and wall end fixing.
Indicator bolt	Stainless steel mortice lock, machined flush into door and pilaster rebates, complete with DDA compliant lever-operated indicator bolt with circular face plate incorporating emergency release.

Performance	
Glass	36mm MDF core faced on both sides with high pressure laminate and faced with 4mm thick double back painted toughened safety glass.



Divisions.

Satin anodised aluminium blocks with soft closing stainless steel pivot hinge system.



Headrail.

Aluminium slim line headrail powder coated gloss white or black to suit glass or satin anodised aluminium to suit other fixtures. Built in Hydraulic door closer.



Lever operated mortice lock.

Stainless steel mortice lock machined flush into door and pilaster rebates.



Faceplate.

DDA compliant lever-operated indicator bolt with circular face plate incorporating emergency release facility.

Infinite.

Dimensions	
Overall Height	2070mm Bespoke heights available. Full height 2600mm Full height available, 30mm ceiling clearance and 20mm floor clearance required.
Floor Clearance	50mm
Ceiling Clearance	30mm Full height or 20mm with headrail
Maximum Depth	Veneer - 1525mm or 1830mm (dependent on veneer choice.) ColourCoat - 1800mm High Gloss - 1800mm
Bespoke	Infinite cubicles can be specified in various configurations, the images are indicative of what can be achieved using a combination of components.

Detailing	
Colour Finish	
Panels and doors	ColourCoat & High Gloss - any RAL classic colours. Veneer - wide range of ALPI veneer options.
Cubicle Hardware	Stainless steel and satin anodised aluminium.
Edge treatment	Veneer: Hardwood lipping to match veneer face. ColourCoat: Edges are sprayed with one coat of primer and finished with one coat of polyurethane paint. High Gloss: Edges are sprayed with one coat of primer and finished with two coats of high gloss polyurethane paint.
Headrail	Slimline aluminium profile headrail in satin anodised aluminium finish. 3 part fixing system which allows cubicles to finish only 20mm below ceiling height. Full height has the option of no headrail, with a pilaster to ceiling fixing block.
Cubicle Hardware	
Hinge	Rise and fall butt hinge.
Wall fixing	Partitions and pilasters fixed with an aluminium secret fixing system.
Indicator bolt	Lever operated mortice indicator bolt with circular face plate and emergency release facility.
Pedestal	Adjustable aluminium pedestal in satin anodised finish.

Performance	
Veneer	Doors and pilasters are 44mm nominal thickness chipboard faced with real wood veneer, partitions are 35mm MDF faced with real wood veneer. Edges finished with hardwood lipping.
ColourCoat	Doors and pilasters are 44mm nominal thickness chipboard, partitions are 35mm MDF, both are sprayed with one coat primer and finished with one coat of polyurethane paint.
High Gloss	Doors and pilasters are 44mm nominal thickness chipboard, partitions are 35mm MDF, both are sprayed with one coat of primer and finished with two coats of high gloss polyurethane paint.



Floating appearance.

Unique floating appearance with set back pedestals.



Lever operated mortice lock.

Satin anodised lever operated mortice indicator bolt with circular face plate and emergency release facility.



Headrail.

Full height cubicles have the option of no headrail, with a pilaster to ceiling fixing block.



Pedestals.

Adjustable satin anodised aluminium pedestal.

System M.

Dimensions	
Overall Height	2115mm Bespoke heights available
Floor Clearance	150mm
Depth	1800mm

Detailing	
Colour Finish	
Panels and doors	HPL & SGL - 36 colours
Cubicle Hardware	Stainless steel and satin anodised aluminium
Edge treatment	HPL - lipped with PVC edging. SGL - polished black radiused edge.
Headrail	Satin anodised aluminium "U" section headrail.
Cubicle Hardware	
Hinge	Satin anodised aluminium gravity hinges
Wall fixing	Satin anodised aluminium discreet T Section.
Indicator bolt	Stainless steel circular faced indicator bolt and unique nylon "anti-damage, true status" keep.
Pedestal	Stainless steel, height adjustable for uneven floors with concealed fixings.

Performance	
System M cubicle divisions are manufactured in 25mm medium density fibreboard (MDF) faced both sides with 0.6mm high pressure laminate (HPL) and lipped with 0.6mm PVC.	
Doors are manufactured in 12.5mm solid grade laminate (SGL) with radiused edges.	
HPL	For more heavily used washrooms, panels are heat, scratch and impact resistant.
SGL	Solid grade laminate is extremely resistant to impact and all surfaces are impervious to water.



Emergency release pilaster.
System M's innovative pivoting pilaster release system is not apparent to the everyday user and therefore retains a standard level of security and privacy.



Open outward door.
The pilaster can then be "squeezed" to release the door outwards, providing an emergency response time less than 30 seconds.



Indicator bolt.
Stainless steel circular faced indicator bolt and unique nylon "anti-damage, true status" keep. In the event of an emergency; staff can open the lock using a coin, which allows the door to move freely.



Pedestal.
Stainless steel, height adjustable for uneven floors with concealed fixings.

Unity.

Dimensions	
Overall Height	2070mm (SGL - 2065mm) Bespoke heights available. Full height available, 20mm minimum ceiling clearance required.
Floor Clearance	50mm
Depth	2000mm (ColourCoat & High Gloss - 1800mm)

Detailing	
Colour Finish	
Panels and doors	MFC, HPL, SGL - 36colours ColourCoat & High Gloss - 10 colour options
Cubicle Hardware	Stainless Steel and satin anodised aluminium.
Edge treatment	MFC & HPL - Matching PVC lipping SGL - Polished black radiused edges ColourCoat - Edges are sprayed with one coat of primer and finished with one coat pigmented polyurethane lacquer. High Gloss - Edges are sprayed with one coat of primer and two coats of high gloss pigmented polyurethane lacquer.
Headrail	Satin anodised aluminium headrail. 3 part fixing system which allows cubicles to finish only 20mm below ceiling height.
Cubicle Hardware	
Hinge	Stainless steel rise and fall butt self closing hinge.
Wall fixing	All channels are satin anodised aluminium.
Indicator bolt	Indicator bolt with emergency release facility and keep, all with concealed fixings.
Pedestal	Adjustable satin anodised aluminium pedestal.

Performance	
MFC	For dry environments with low risk of vandalism. Partitions are high performance moisture-resistant melamine faced chipboard. Edges lipped with PVC. Partitions are 18mm nominal thickness.
HPL	For more heavily used washrooms, panels are heat, scratch, impact and cigarette burn resistant. Moisture-resistant chipboard faced with high pressure laminate. Edges lipped with PVC. Doors and pilasters are 36mm nominal thickness with an MDF core, partitions are 18mm nominal thickness.
SGL	Solid grade laminate is extremely resistant to impact and all surfaces are impervious to water. Panels are 13mm nominal thickness with polished black radiused edges.
ColourCoat	Panels are MDF core. Doors and pilasters are sprayed with one coat of primer and finished with one coat of polyurethane paint. Doors and pilasters are 35mm nominal thickness, partitions are 18mm nominal thickness.
High Gloss	Panels are MDF core. Doors and pilasters are sprayed with one coat of primer and finished with two coats of high gloss polyurethane paint. Doors and pilasters are 35mm nominal thickness, partitions are 18mm nominal thickness.



Headrail.
Slimline profile headrail in satin anodised effect. 3 part fixing system which allows cubicles to finish only 20mm below ceiling height.



Pedestal.
Adjustable satin anodised aluminium pedestals, perfect for uneven floors.



Gravity fix channels for pilasters.
Satin anodised aluminium discrete gravity fix channels for pilasters.



Floating appearance.
Pedestals are fitted to partitions to give the range a clean, modern design.

Fusion.

Dimensions	
Overall Height	2125mm Bespoke heights available Full height available, 150mm ceiling clearance required.
Floor Clearance	100mm

Detailing	
Colour Finish	
Panels and doors	MFC, HPL and SGL- 36 Colours
Cubicle Hardware	Satin anodised aluminium.
Edge treatment	MFC and HPL- lipped with matching PVC. SGL edges are Black radiused edge polished.
Headrail	Satin anodised aluminium headrail with stainless steel end cap.
Cubicle Hardware	
Hinge	Rise and fall aluminium hinge with adjustable cams for door to fall closed, open or ajar.
Wall fixing	Partitions fixed to walls using satin anodised aluminium channel.
Indicator bolt	Light Grey zinc indicator bolt with emergency release facility and keep.
Pedestal	No pedestal required as the pilasters extend to floor level and are fixed to floor mounting blocks.

Performance	
MFC	For dry environments with low risk of vandalism. Panels are manufactured from 18mm nominal thickness high performance moisture-resistant melamine faced chipboard. Edges lipped with PVC.
HPL	For more heavily used washrooms, panels are heat, scratch, impact and cigarette burn resistant Moisture-resistant chipboard faced with high pressure laminate. Edges lipped with PVC. Doors are 18mm nominal thickness with an MDF core, partitions are 18mm nominal thickness with an MDF core, pilasters are slimline extruded aluminium.
SGL	Solid grade laminate is extremely resistant to impact and all surfaces are impervious to water. Panels are 13mm nominal thickness with polished black radiused edges.



Pedestal leg.

No pedestal required as the pilasters extend to floor level and are fixed to floor mounting blocks.



Headrail.

Pilaster and headrail junction in satin anodised aluminium with stainless steel end cap.



Indicator bolt.

DDA compliant Light grey zinc indicator bolt with emergency release facility and keep.

Splash.

Dimensions	
Overall Height	2115mm (Tall 2650mm & Privacy 2570mm options available)
Floor Clearance	100mm (10mm clearance with Privacy)
Depth	2000mm

Detailing	
Colour Finish	
Panels and doors	SGL - 36 colours
Cubicle Hardware	Polished aluminium
Edge treatment	SGL - polished black radiused edges
Headrail	Satin anodised aluminium section.
Cubicle Hardware	
Hinge	Satin anodised aluminium safety hinges, adjustable to fall closed or open.
Wall fixing	U-Channel division fixings.
Indicator bolt	Polished aluminium slide operated indicator bolt with emergency release.
Pedestal	Contemporary design manufactured from satin anodised aluminium, position onto division. Adjustable to accommodate uneven floors. (Privacy option features partitions fixed to floor using specifically designed satin anodised aluminium privacy channels.)

Performance	
SGL	Solid grade laminate is extremely resistant to impact and all surfaces are impervious to water. Doors and pilasters are 13mm nominal thickness with polished black radiused edges.



Headrail.

Satin anodised aluminium headrail.



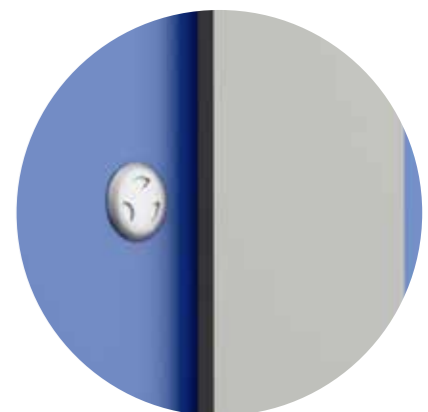
Pedestal.

Satin anodised aluminium pedestal legs are adjustable to accommodate uneven floors.



Shower Curtain Detail.

Splash is suitable for shower cubicles and can be supplied with a shower curtain.



Indicator Bolt.

Satin anodised aluminium circular indicator bolt faceplate.

Vepps.

Dimensions	
Maximum Ceiling Height	3000mm (maximum heights are subject to change with wood grain colours.)
Skirting/baserail	100mm (other skirting heights achievable by site packing the baserail)
Top Flashgap	50mm (minimum shelf heights and panel widths are dependant upon sanitaryware.)

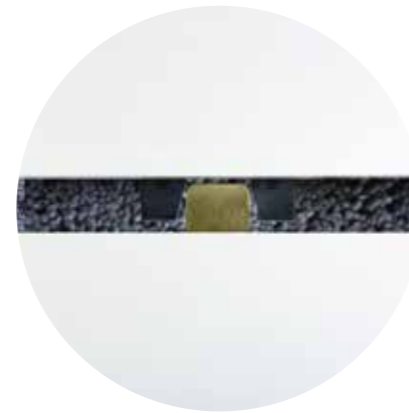
Detailing	
Panels & Flashgaps	Available in MFC, HPL, SGL, ColourCoat, High Gloss and Veneer
Colour Finish	MFC, HPL & SGL: 36 Colours ColourCoat & High Gloss: 10 colours available for V1 & V2 and any classic RAL colours when specifying V3 ranges. Veneer - Wide range of Alpi veneer options.
Edge Treatment	MFC & HPL: Matching PVC lipping. Post-formed vertical edge option available with HPL. SGL: Polished black radiused edges. ColourCoat and High Gloss: Edges are sprayed with one/two coats of primer and finished with pigmented polyurethane lacquer or high gloss pigmented lacquer. Veneer: Matching ABS lipping on all standard veneers. Flashgaps: unfinished edges except return end flashgaps which will be PVC lipped (or polished if SGL).
Docking Frame	Headrail, baserail manufactured from extruded aluminium section.
Subframes	Manufactured from rolled galvanised steel section with aluminium cross brace bars. Subframe installed within aluminium docking frame by click-fix nylon location brackets. Back panels fixed to steel section by nylon clips.
Linear-bearing hinges	Manufactured from rolled galvanised steel section with aluminium cross brace bars. Subframe installed within aluminium docking frame by click-fix nylon location brackets. Back panels fixed to steel section by nylon clips.
Panel Lock	Manufactured from stainless steel with a polished finish.

Performance	
MFC	For dry environments with low risk of vandalism. Panels are manufactured from 18mm nominal thickness high performance moisture-resistant melamine faced chipboard. Edges lipped with PVC.
HPL	For more heavily used washrooms, panels are heat, scratch and impact resistant and all surfaces are impervious to water. Panels are 18mm nominal thickness with polished black radiused edges.
SGL	Solid grade laminate is extremely resistant to impact and all surfaces are impervious to water. Panels are 13mm nominal thickness with polished black radiused edges.
ColourCoat	Panels are 18mm nominal thickness MDF finished with one primer and two coats of pigmented polyurethane lacquer creating a semi-gloss finish.
High Gloss	Panels are 18mm nominal thickness MDF finished with one coat primer and two coats of high glass pigmented lacquer.
Veneer	Manufactured from moisture resistant chipboard faced with real wood veneer, panels are 18mm nominal thickness. Edges lipped with matching ABS.



Speedy Installation.

There are four easy steps to installation so you can be up and running in the shortest possible time frame.



Guaranteed Perfection.

Our dowel-dock system ensures panels return to their correct position, giving you the perfect panel alignment every time.



Easy Maintenance.

The strong linear-bearing hinges and panel support ratchets allow for speedier maintenance and they eliminate the need for lifting off heavy panels.



Wide choice.

From cutting edge, designer sanitaryware to simple, budget options, Vepps gives you the flexibility to choose industry leading products to complement your washroom.

Lockers.

Dimensions	
Overall Height	Active Lockers - 1800mm Bench Lockers - 1460mm from bench level
Width	310mm (not applicable to Model Z) 410mm
Depth	505mm 780mm (including bench)

Detailing	
Colour finish	36 colours
Lockers	Coin retain Coin return Cylinder/cam lock Digi lock Hasp lock
Accessories	Laser cut numbers for locker doors Corresponding wristband in red or blue
Performance	Aluminium carcass only. Solid grade laminate (SGL) doors only.

Performance	
Active Doors	13mm thick solid grade laminate that offers a high impact resistance and is impervious to water.
Hinge	Strong integral sprung aluminium extruded hinge which returns the door to the closed position.
Body	Silver satin anodised aluminium extruded frame, together with 1mm thick matching aluminium carcass provides a sturdy body assembly.
Dividers	Hygienic, easy to clean, light grey injection moulded horizontal trays.
Ventilation	3mm space between the doors and the frame allows air to circulate through the locker.
Stands	Venesta recommends that the lockers be installed on a raised, concrete base in wet areas. Please contact our sales team for details. Alternatively, the lockers can be mounted on a powder coated cantilevered bench.



Coin return lock with wristband

Choice of locking mechanisms; Cam lock, Coin return lock, digi lock, coin retain lock and Hasp lock.



Internal coat hook

A range of accessories available including; laser cut numbers for locker doors and corresponding wristbands in red or blue.



Injection moulded locker base

Hygienic, easy to clean, light grey injection moulded horizontal trays.



Locker door frame details

Silver satin anodised aluminium extruded frame, together with 1mm thick matching aluminium carcass provides a sturdy body assembly.

Benching.

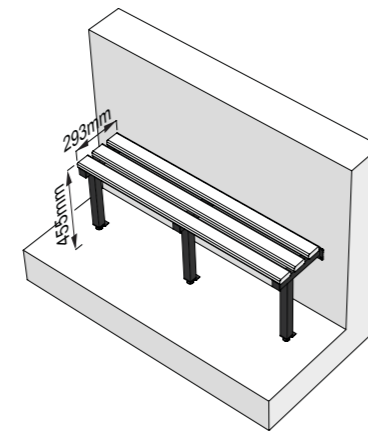
Our benches have been designed to provide strength, safety and flexibility. They feature solid beechwood slats, available in six styles each with complementary framework in a Black nylon coated galvanised steel.

These bench systems are ideal for any of our washroom or cubicle systems in both wet or dry environments.

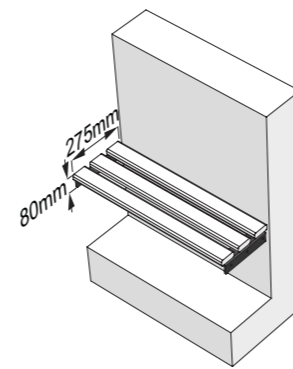
Detailing	
Dimensions	Standard bench height 455mm
Performance	Solid beechwood slats only Nylon coated galvanised steel Black only
Wall mounted Coat hooks	Light and Dark Grey ABS. Quantity and position to suit customers' individual requirements.
Profiles	Perimeter Perimeter cantilever Cubicle benching Island with integral coat hooks Free-standing Locker benching

Key features:

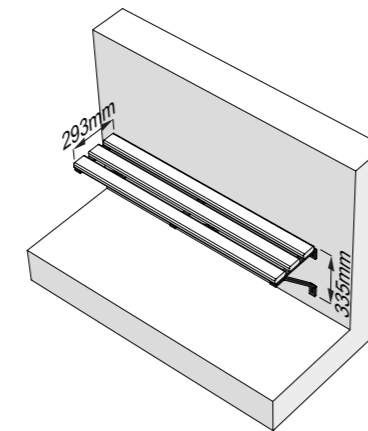
- Designed for strength, flexibility and safety
- Double corrosion protected, powder coated frame
- Hardwearing solid beechwood slats
- Available in six styles, each with complimentary framework
- Suitable for wet and dry environments
- Designed for high level use
- Adjustable foot



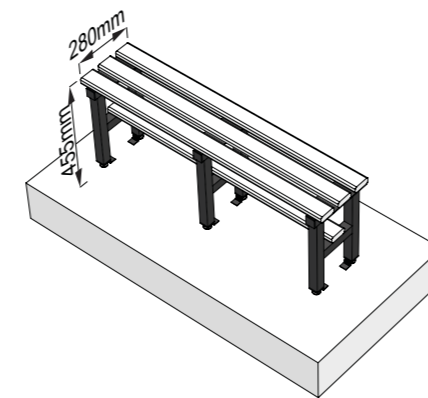
Perimeter



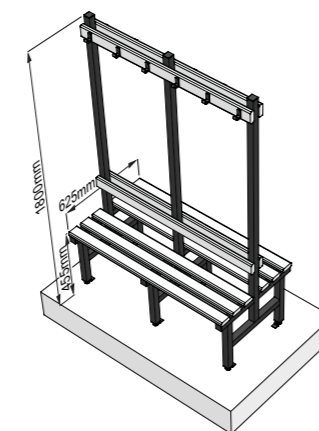
Cubicle bench



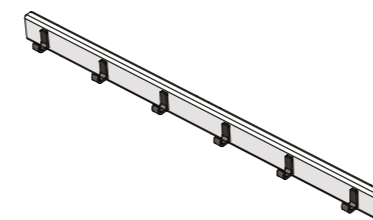
Perimeter cantilever



Free-standing



Island



Coat hooks

Colours

We have a range of inspiring colours from neutrals to vibrant and impactful.

Real wood veneer

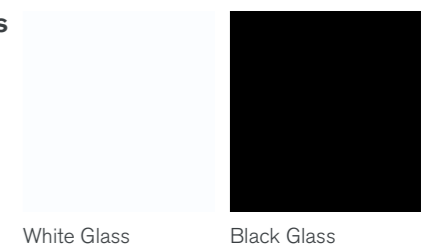


Laminates (MFC, HPL, SGL)



Glass

Choosing the perfect colour isn't easy, view our full range of colours in our Colour Selector brochure.



ColourCoat & High Gloss



www.venesta.co.uk

**For help and advice on choosing
your washroom, visit our website
for a comprehensive guide.**

Our address

Venesta Middle East FZE
PO Box 122909
Sharjah, UAE

Telephone
+971 6 5533361

Facsimile
+9716 5533362

Email
contact@venesta.co.uk

www.venesta.co.uk

All rights reserved. No part of this publication may be reproduced in any form or by any means, without the prior permission in writing of Venesta Washroom Systems Limited or as expressly provided by law. Venesta reserves the right to alter or change specifications without notice. Colours reproduced in this brochure are as accurate as the printing processes permit.

**Call us, we're here to help.
+971 6 5533361**